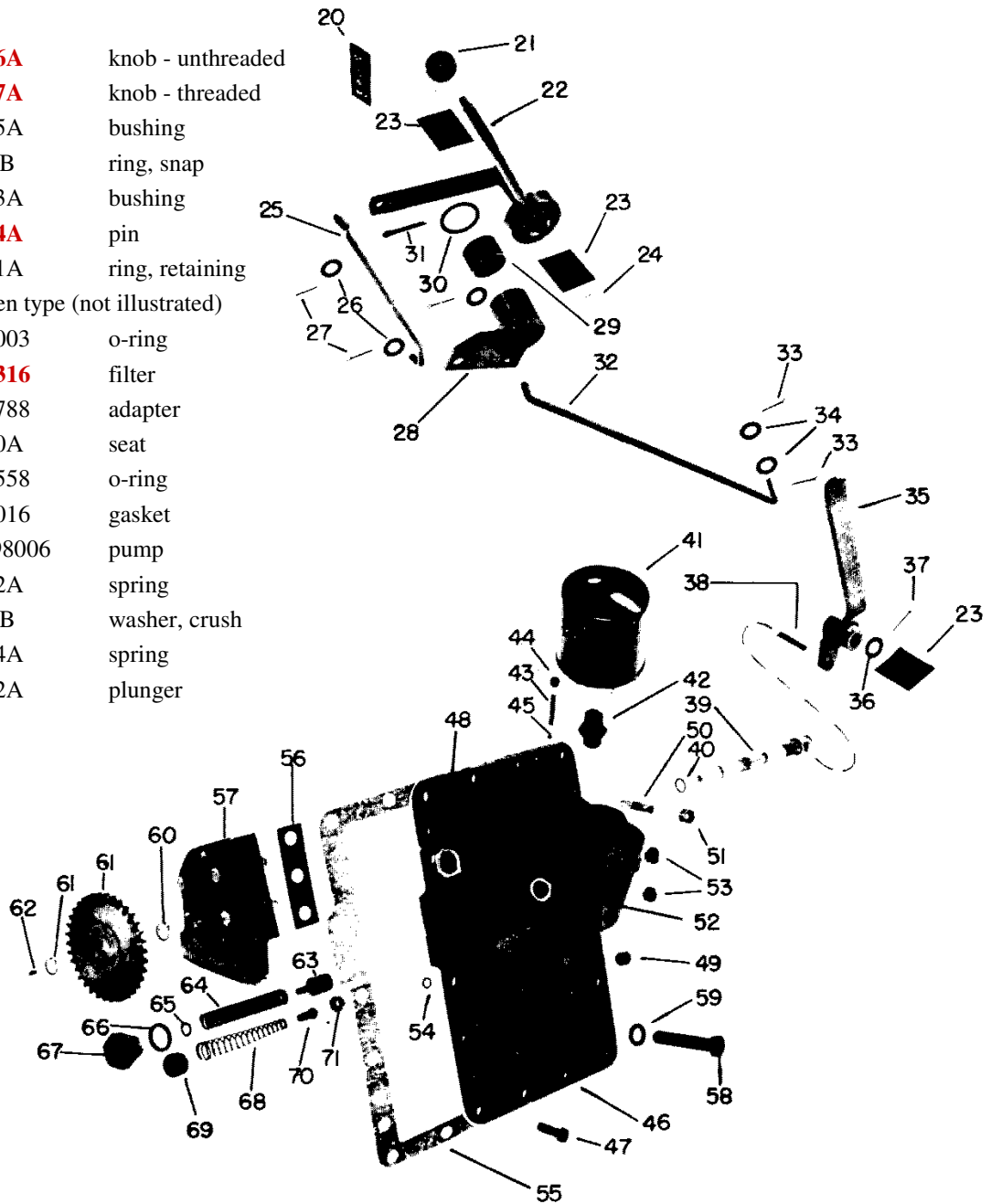
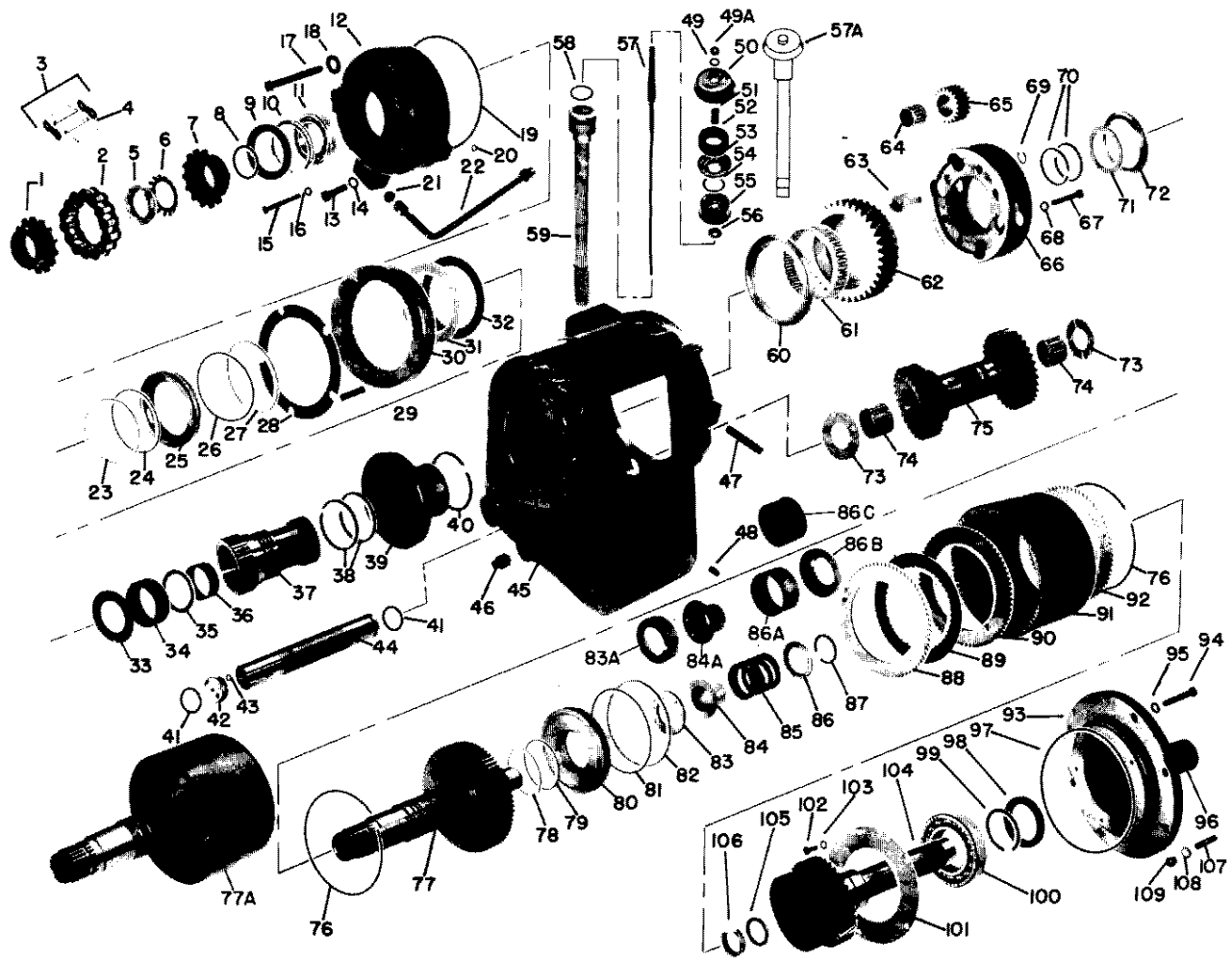


Over/Under Hydraul-Shift

- 21 **169306A** knob - unthreaded
- 21 **102307A** knob - threaded
- 23 165685A bushing
- 24 K2031B ring, snap
- 29 155123A bushing
- 38 **165684A** pin
- 104201A ring, retaining
1/2 open type (not illustrated)
- 40 70924003 o-ring
- 41 **72161316** filter
- 42 72160788 adapter
- 53 107200A seat
- 54 70923558 o-ring
- 56 70277016 gasket
- 57 30-3198006 pump
- 64 107432A spring
- 66 K2021B washer, crush
- 68 100474A spring
- 70 100472A plunger



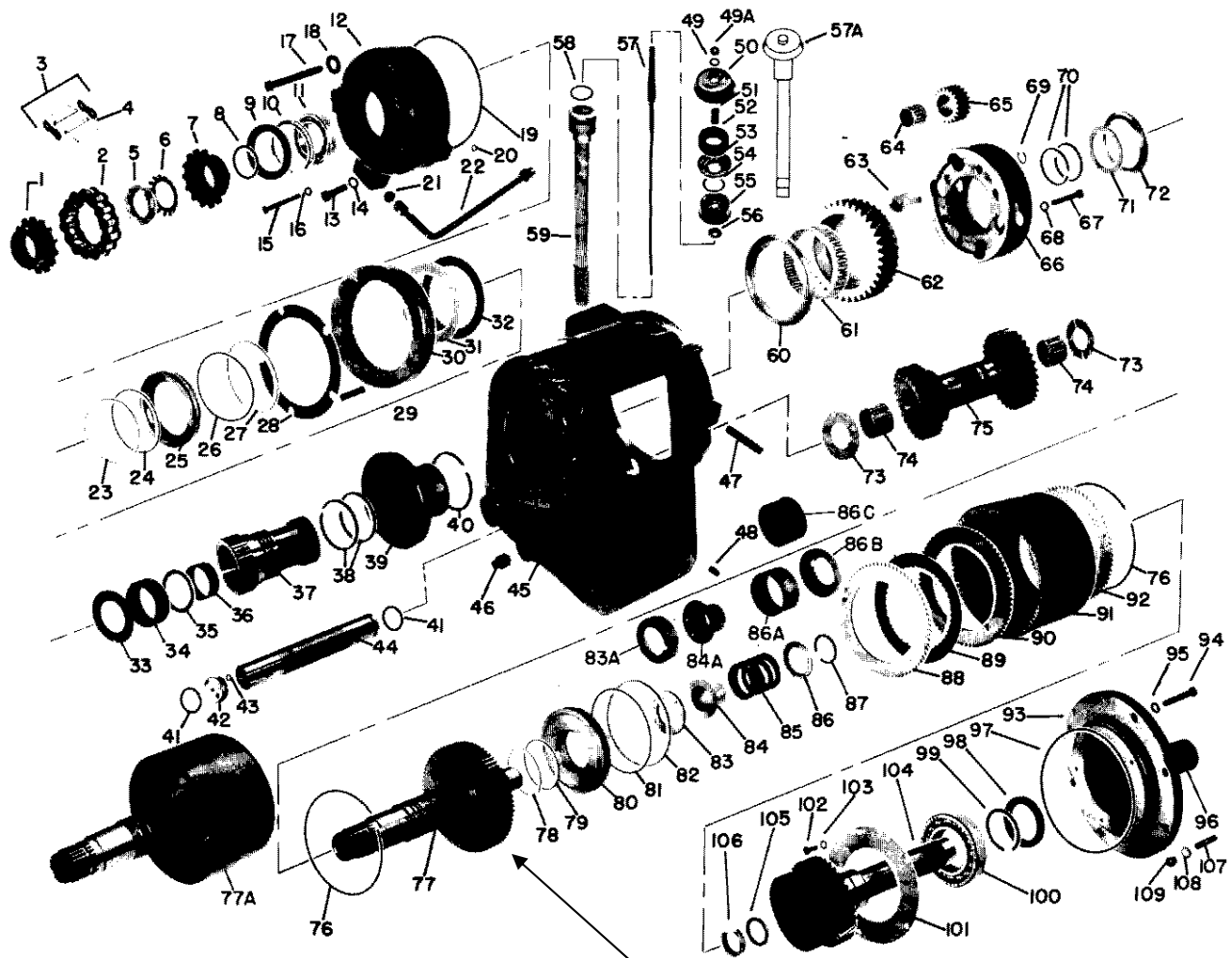
Over/Under Hydraul-Shift



1	155533A	sprocket	31	165146A	plate (6 req)
2	107417AS	chain	32	72161819	plate (5 req)
3	107626AS	link, connector	33	72160303	washer
4	30-3153606	pin 3/32 x 1 3/4	34	72161793	sprag clutch
4	30-3153614	pin 3/32 x 1/2	35	72160305	spacer, sprag
5	70928678	nut	36	72161792	bearing
6	72163084	washer	37	30-3086720	shaft, sun
7	30-3143856	sprocket	60	72160306	bushing
8	70923664	o-ring	61	72160135	bearing
9	72161828	seal	71	72160133	washer
10	72160049	ring	72	72160139	bushing
11	70241833	bearing	73	30-3087727	washer (2 req)
18	B235A	washer	74	157488A	bearing (2 req)
25	72160302	piston, overdrive			

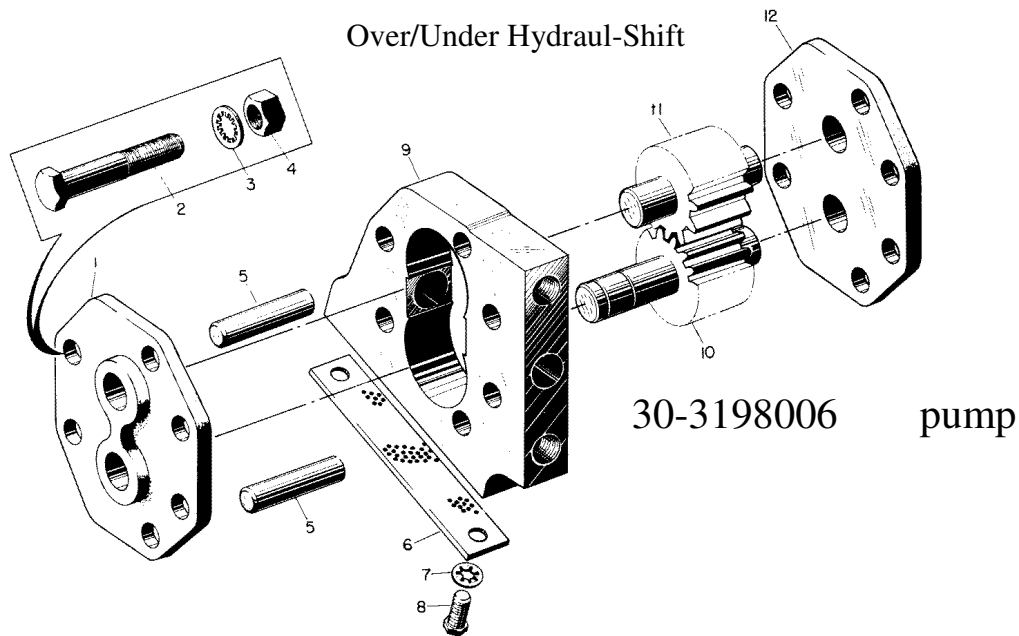
NEXT PAGE

Over/Under Hydraul-Shift



77		shaft (this style not used)
77A	30-3088227	shaft
84A	72160330	guide
88	30-3061817	plate
89	30-3309487	plate (6 req)
90	72161788	plate (5 req)
92	30-3061795	plate
96	K585	tube
98	162876A	seal
100	72161859	bearing
104	30-3092992	shaft
105	72160020	seal
106	70932891	bearing

Which Style Do You Have ?



- | | | |
|----|---------------------|--------------|
| 1 | 166189A | line |
| 2 | 166190A | line |
| 7 | 166184A | hose |
| 9 | 169556A | line, inlet |
| 10 | 169555A | line, outlet |
| 11 | 72161048 | clamp |
| 13 | 167592A | hose |
| 17 | 30-3001385 | cooler |
| | R/B 1 of 30-3225704 | cooler |
| | and 4 of 30-3132099 | hose |
| 18 | 169030A | bracket |

