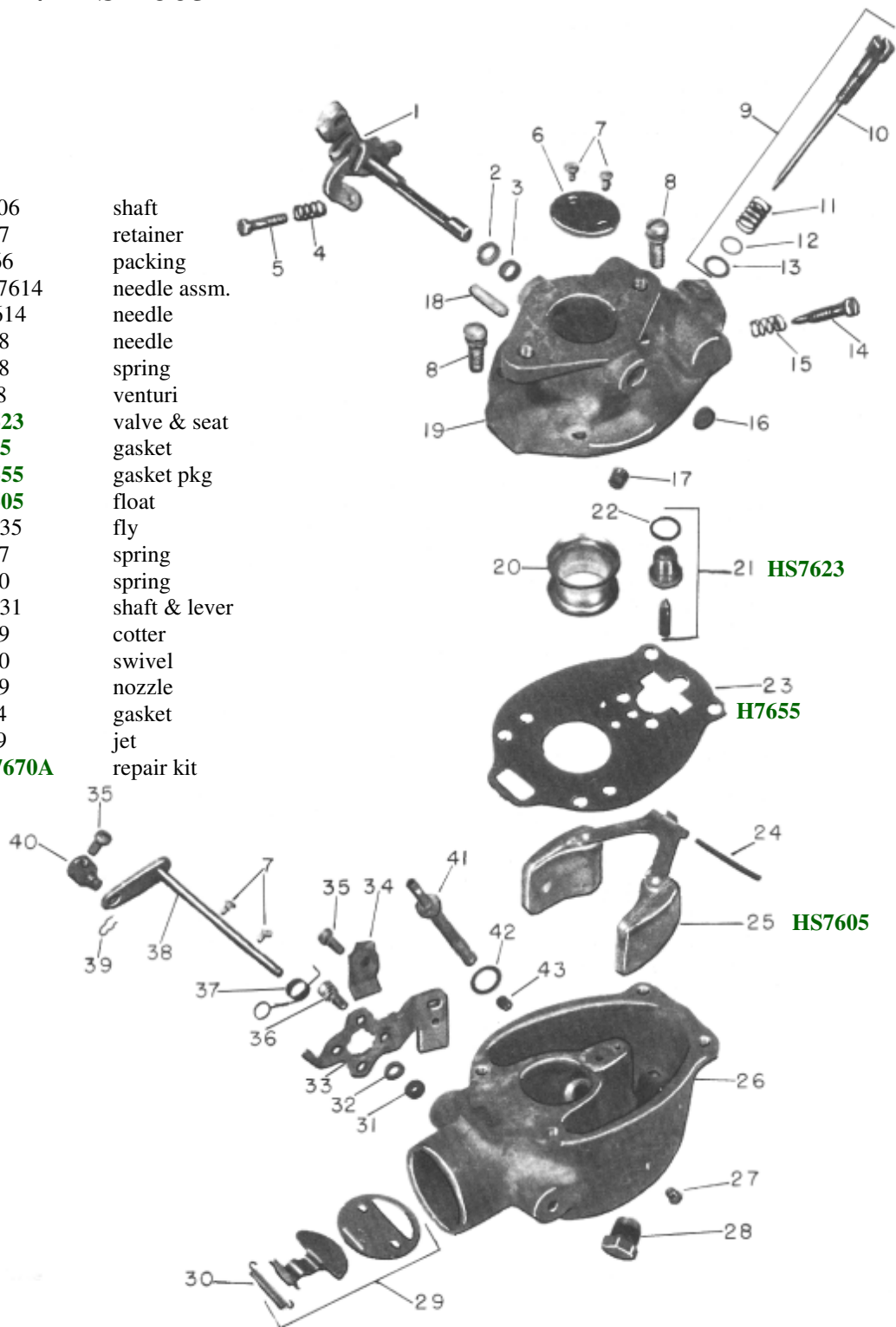


- 1 LS393B CARB  
s/n 60501 - 72831  
TSX 603
- 1 102631AS CARB  
s/n 72832 - 79335  
TSX 775 with side inlet  
r/b 103318AS & 939331
- 1 103318AS CARB  
s/n 79336 -  
TSX 775 with rear inlet
- 1 105730AS CARB  
s/n 79336 -  
TSX 811
- 1 103292AS CARB zenith  
12427  
s/n 72832 -
- See Breakdown**
- 2 B396 gasket  
s/n 60501 - 72831
- 2 C396 gasket  
s/n 72832 -
- 11 K428A stud 3/8 x 5 1/8  
s/n 60501 - 72831
- 11 7K193 stud 3/8 x 5 3/8  
s/n 72832 -
- 12 L416 clamp
- 13 L426 gasket
- 17 MA422 gasket  
s/n 60501 - 72831
- 17 KA422 gasket  
s/n 72832 -

- 3 K398 stud 5/16 x 1 1/8  
s/n 60501 - 72831
- 3 102989A stud 3/8 x 1 1/4  
s/n 72832 -
- 6 L425A manifold  
s/n 60501 - 72831
- 6 102376A manifold  
s/n 72832 -
- 6 104026A manifold  
s/n 72832 -  
use with 104027A manifold
- 14 30-3037525 manifold  
s/n 60501 - 72831
- 14 102377A manifold  
s/n 72832 -
- 14 104027A manifold  
s/n 72832 -  
use with 104026A manifold

## LS393B / TSX603

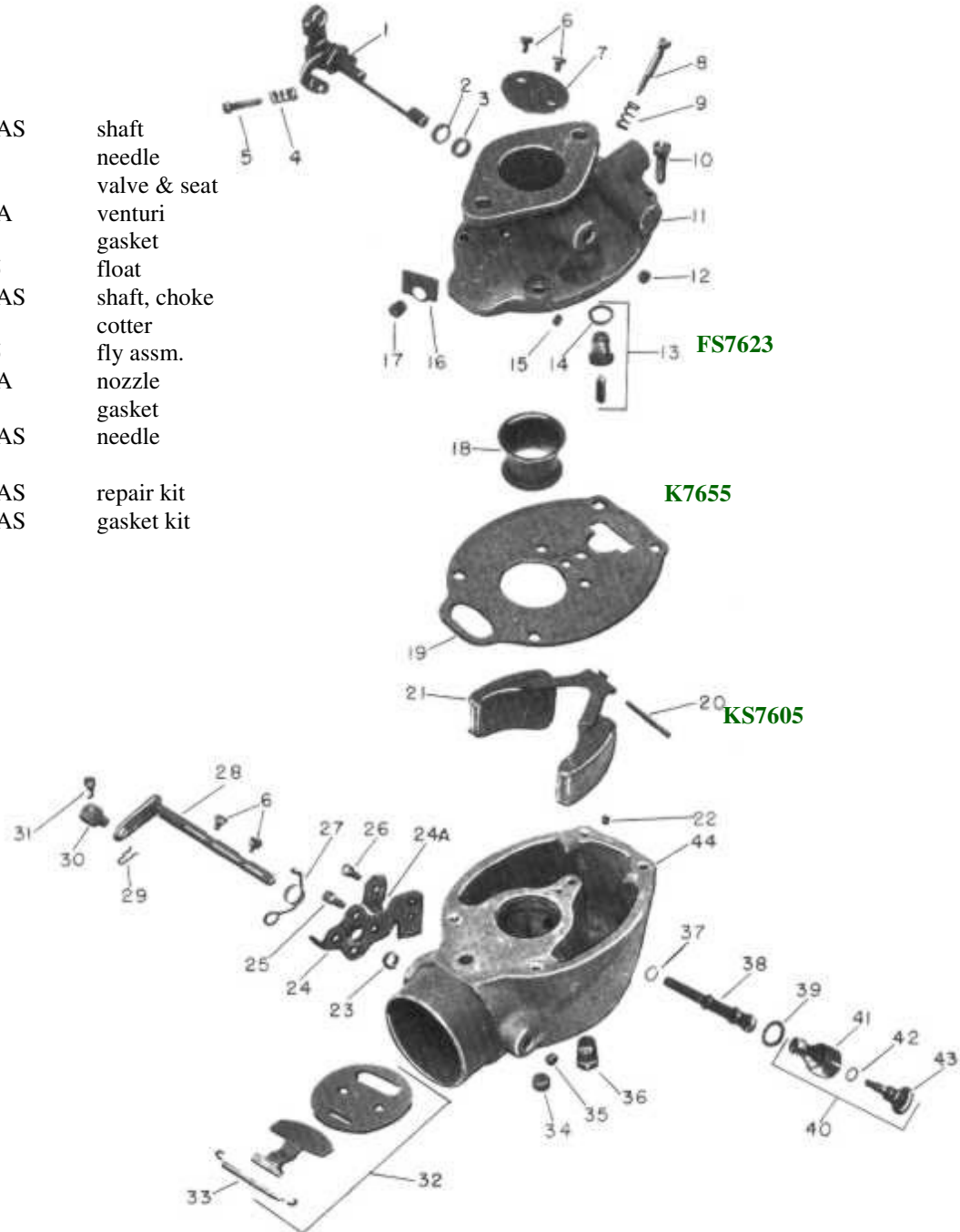
- |    |                 |               |
|----|-----------------|---------------|
| 1  | LS7606          | shaft         |
| 2  | H7667           | retainer      |
| 3  | M7666           | packing       |
| 9  | MSA7614         | needle assm.  |
| 10 | MS7614          | needle        |
| 14 | H7628           | needle        |
| 15 | H7658           | spring        |
| 20 | L7638           | venturi       |
| 21 | <b>HS7623</b>   | valve & seat  |
| 23 | <b>H7655</b>    | gasket        |
|    | <b>HS7655</b>   | gasket pkg    |
| 25 | <b>HS7605</b>   | float         |
| 29 | HS7635          | fly           |
| 30 | H7607           | spring        |
| 37 | H7630           | spring        |
| 38 | HS7631          | shaft & lever |
| 39 | H7619           | cotter        |
| 40 | H7620           | swivel        |
| 41 | H7629           | nozzle        |
| 42 | L7654           | gasket        |
| 43 | L7669           | jet           |
|    | <b>LSR7670A</b> | repair kit    |



## 102631AS / TSX775

with side inlet

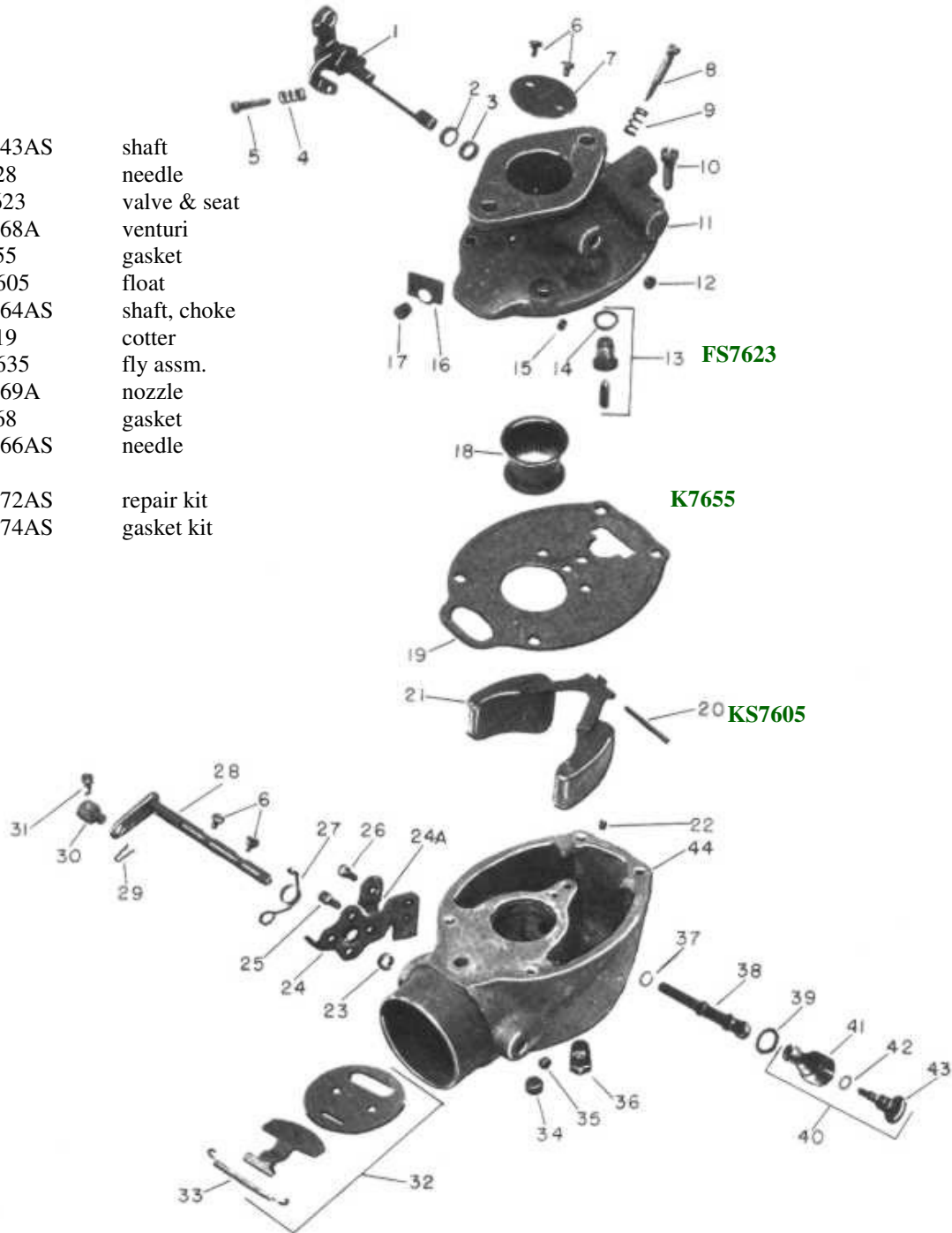
1	103043AS	shaft
8	H7628	needle
13	FS7623	valve & seat
18	103068A	venturi
19	K7655	gasket
21	KS7605	float
28	103064AS	shaft, choke
29	H7619	cotter
32	AS7635	fly asm.
38	103069A	nozzle
39	K7668	gasket
40	103066AS	needle
	103072AS	repair kit
	609374AS	gasket kit



## 103318AS / TSX775

with rear inlet

1	103043AS	shaft
8	H7628	needle
13	FS7623	valve & seat
18	103068A	venturi
19	K7655	gasket
21	KS7605	float
28	103064AS	shaft, choke
29	H7619	cotter
32	AS7635	fly assm.
38	103069A	nozzle
39	K7668	gasket
40	103066AS	needle
	103072AS	repair kit
	609374AS	gasket kit



## 103292AS / 12427 Zenith

- |    |          |                |
|----|----------|----------------|
| 1  | B7602A   | pin            |
| 2  | 103553AS | lever, stop    |
| 3  | B7636    | screw          |
| 4  | 103552A  | shaft          |
| 5  | K7626    | retainer       |
| 6  | K7608A   | seal           |
| 7  | B7662    | plug           |
| 8  | 103551A  | plate          |
| 9  | K7610    | screw          |
| 10 | B7637A   | spring         |
| 11 | B7631A   | needle         |
| 13 | KS7618   | valve and seat |
| 16 | K7621A   | gasket         |
|    | KS7655A  | gasket pkg     |
| 17 | 103556A  | venturi        |
| 19 | K7630    | float          |
| 25 | 103558A  | jet            |
| 26 | 103555A  | adjuster       |
| 36 | KS7628   | shaft          |
|    | 103560AS | repair kit     |

